

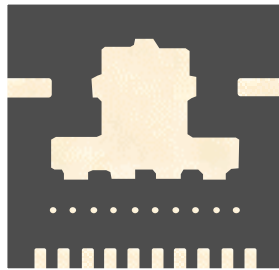
Phase Shifter Chip (GaAs)

Model :TP001

[General Description]

Teltron TP001 is the first packaged type phase shifter manufactured using 0.6 μ m GaAs MESFET process. Phase can be shifted from 0° to 337.5° in 22.5° step. As this chip is a passive switching device, there is no supply voltage and current consumption.

[Package]



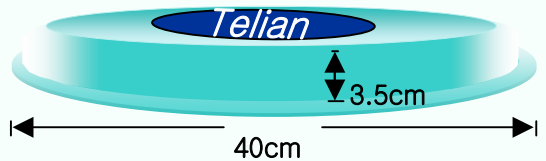
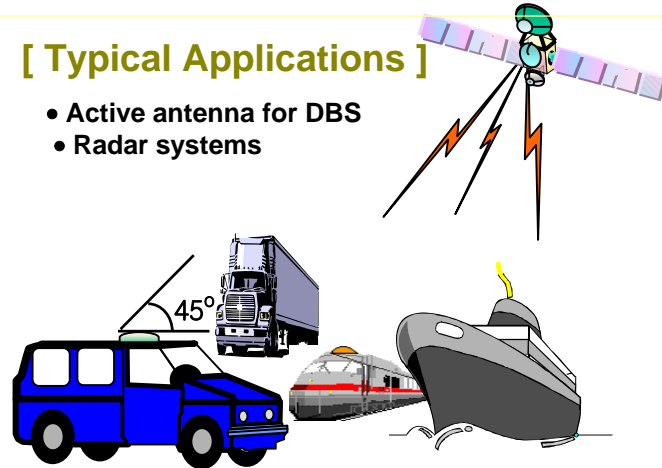
12 GHz Plastic Package Left) front side, Right) Back side view

[Specifications of Phase Shifter]

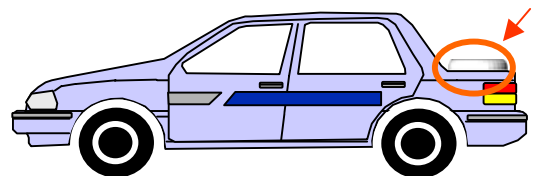
Parameter	Performance
Frequency	11.7 ~ 12.8 GHz
Phase range& control bit	360°, 4 bit
RMS phase error	4.6° typ.
RMS amplitude error	0.6 dB typ.
Max. amplitude error	± 1.9dB typ
Insertion loss	8.6 dB typ.
In/Out return loss	10 dB typ.
In/Out impedance	50 Ohms
Switching speed	50ns max.
Package	6 × 6 mm ² Plastic

[Typical Applications]

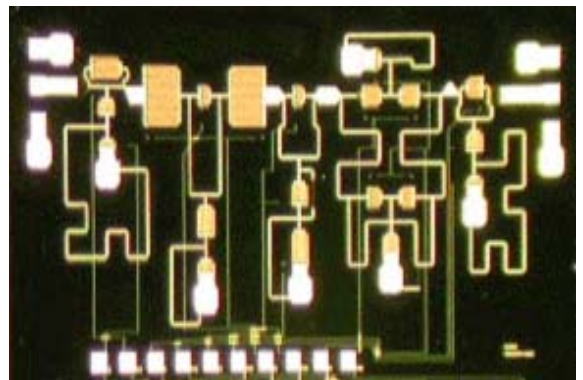
- Active antenna for DBS
- Radar systems



Active antenna with Phase Shifter for DBS reception.



Loading Active antenna on the Trunk-cover



Bare Chip Photo of 12 GHz Phase Shifter