

AutoOn-DC

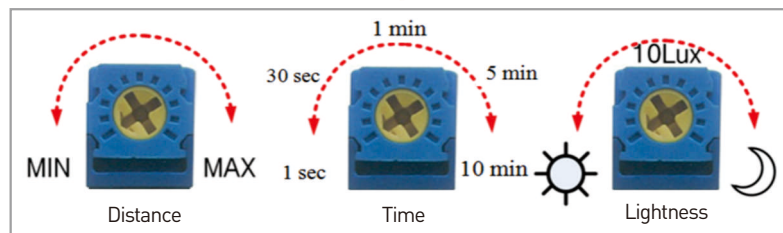
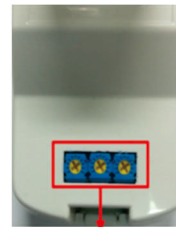
Features

AutoOn-DC is a microwave sensor that detects minute motion of human bodies and reflective objects. It uses DC (12V~24V) by automatically on and off electric instruments including lamps.

Applications

- Intrusion alarm
- Automatic door
- Automatic light control-energy saving
- System air-conditioner – zone control

Picture and Setting



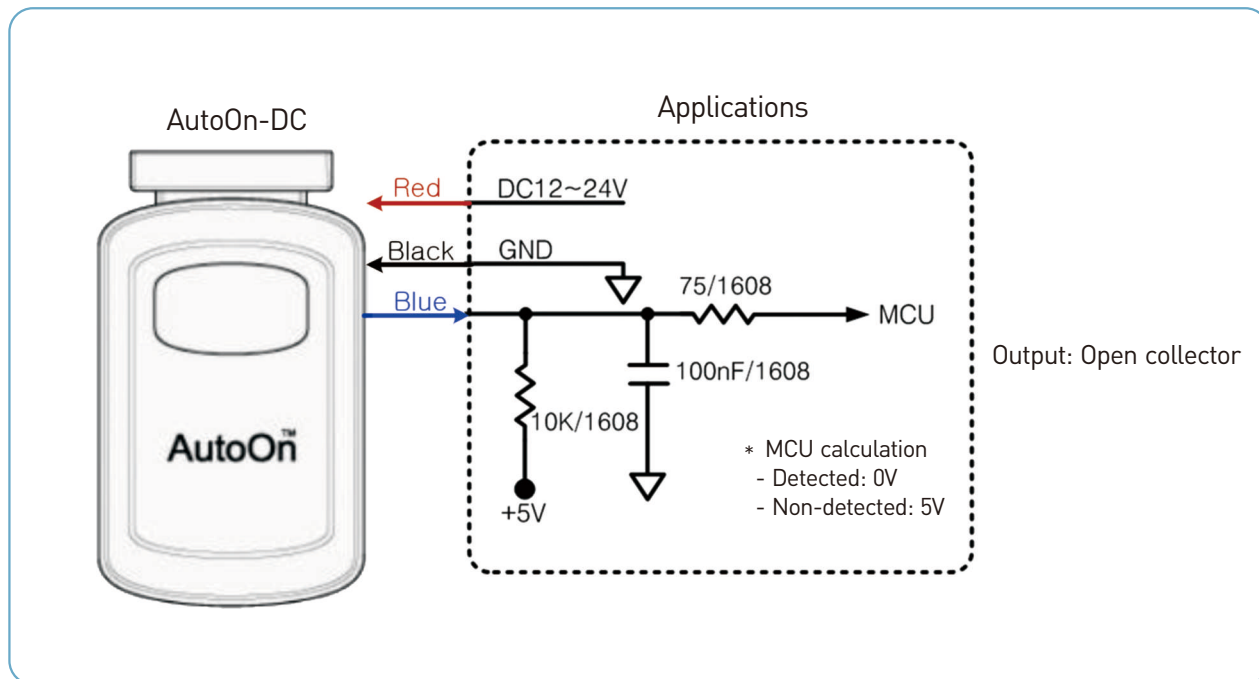
Specifications

Item	Specification	Default setting	Note
Voltage	DC 12~24 V	-	
Current consumption	55 mA	-	
Output	Open collector		
Detection range	5~20 meter		
Timer	1 sec. ~ 10 min.		Adjustable
Lightness	Day and Night minute control		
Ambient temperature	-10 ~ 60 °C	-	Indoor use only
Humidity	50% max.	-	Avoid a humid condition
Size	80 X 50 X 85 mm ³	-	

Warning : The specifications can be changed without any notice.

AutoOn-DC

Application circuit



Detection range

